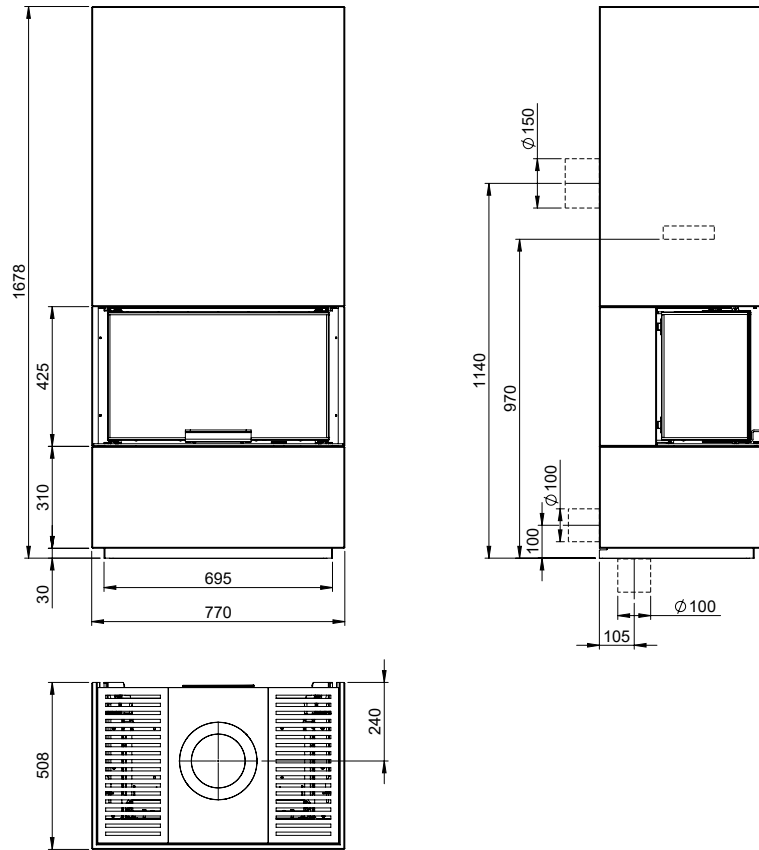


# Measurements

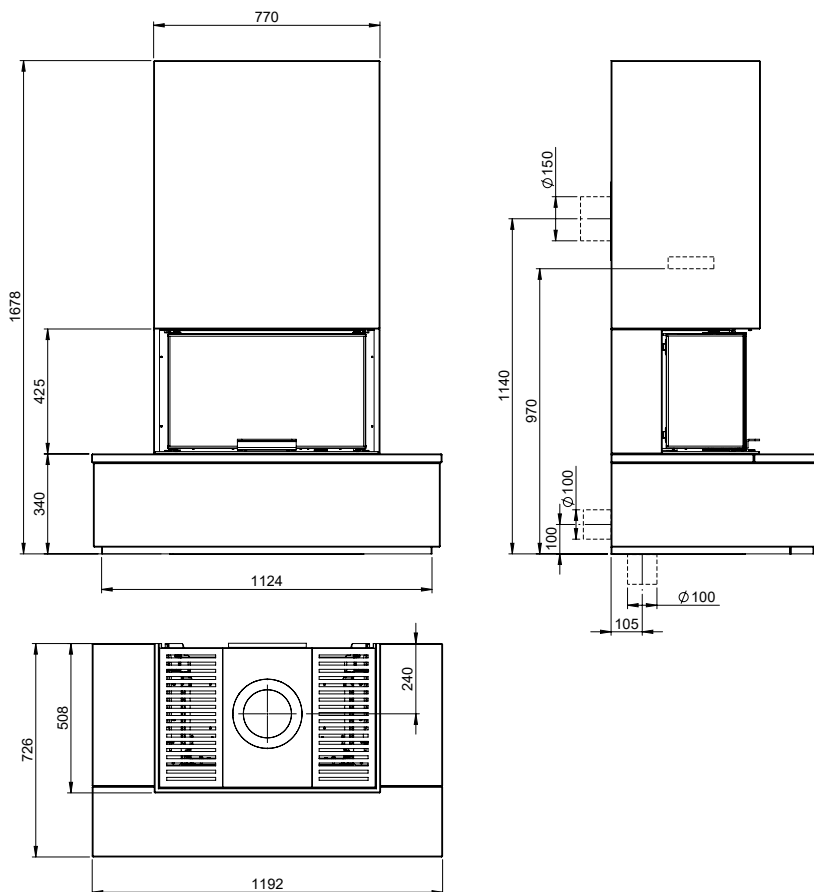
MONACO II LOW



Monaco II Low / Q-34 UL = mm



Monaco II Low / Q-34 UL + bench = mm

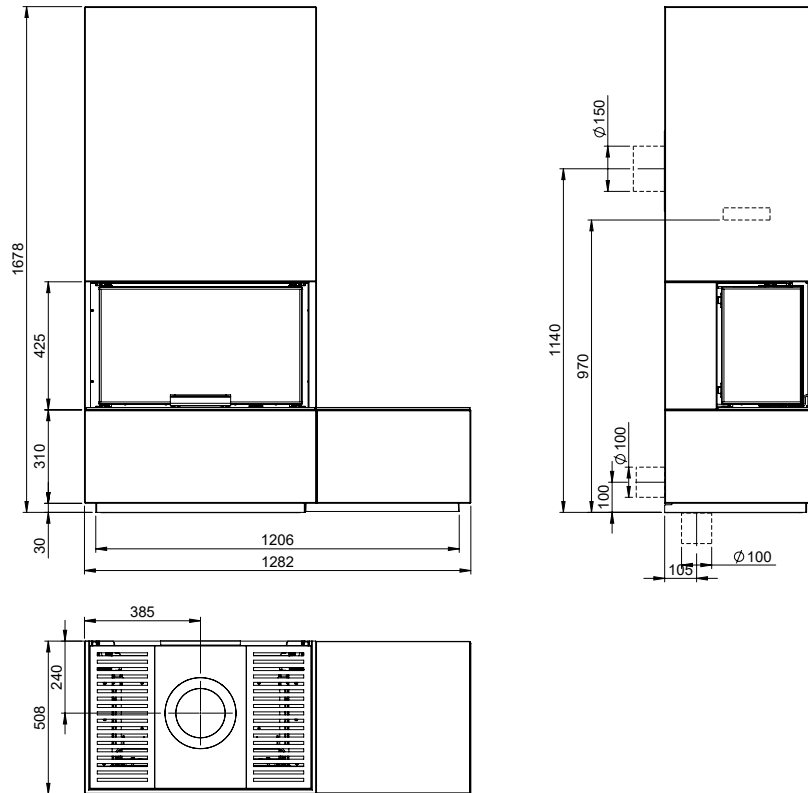


# Measurements

MONACO II LOW

 Nordpeis

Monaco II Low / Q-34 UL + wood shelf = mm




# Safety distances

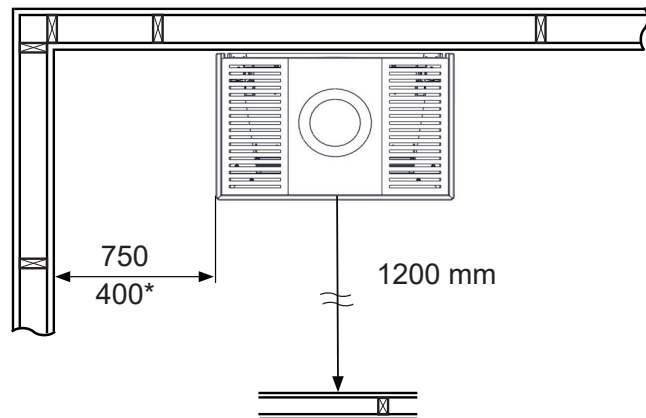
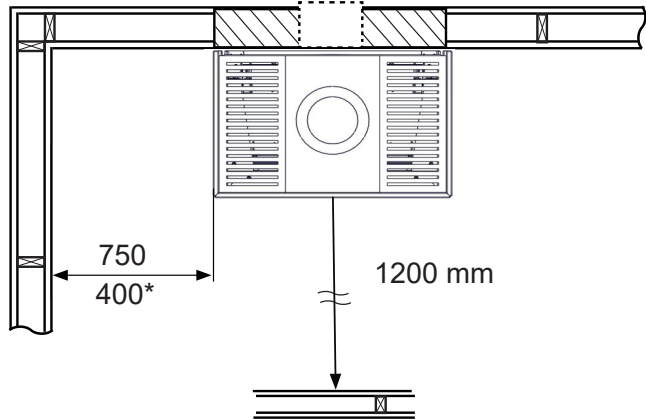
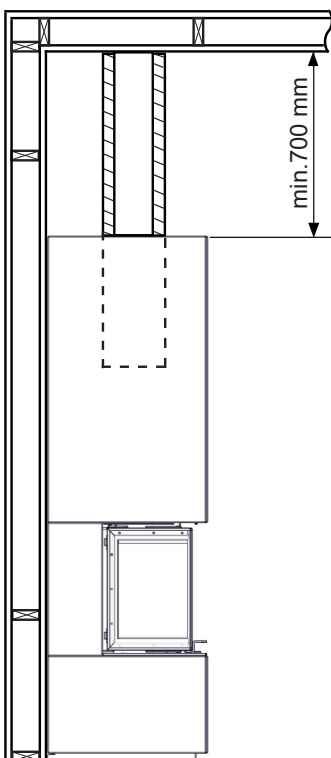
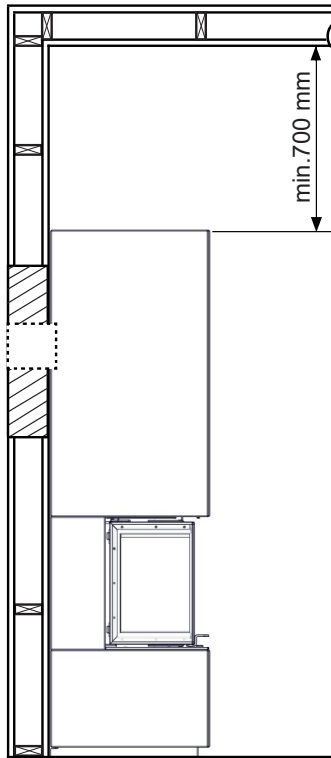
MONACO II LOW BASE + BENCH

 Nordpeis

MONACO II LOW BASE/Q-34 UL = MM

 =Firewall/ Hitzenschutzwand / Mur parfeu / Parete non combustibile / Palomuuri

 =Combustible material / Brennbares Material / Matières combustibles/ Parete combustibile / Tulenarka materiaali



NO \* = Gjelder bare med IR Super Max Glass,  
Gjeldene fra SN 1312550

SE \* = Passar bara med IR Super Max Glas,  
Gäller från SN 1312550

GB \* = Only applicable with IR Super Max Glass,  
Valid from SN 1312550

FI \* = Sovelletaan vain IR Super Max -lasin,  
Kanssa alkaen SN 1312550

DE \* = Nur gültig mit IR Super Max Glas,  
Gültig ab SN 1312550

FR \* = Uniquement applicable sur les vitres qualité « IR »,  
Valide à partir de SN 1312550

28-MON02-030 Monaco II with bench glass floor

