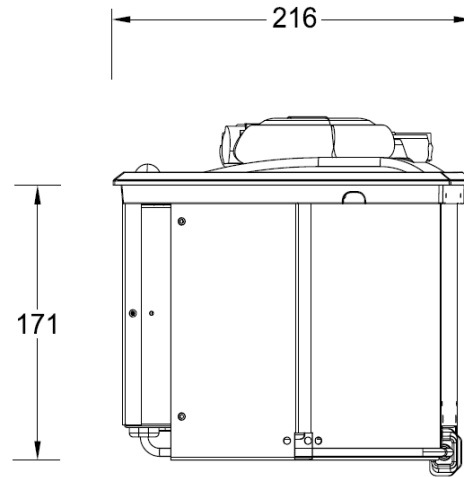
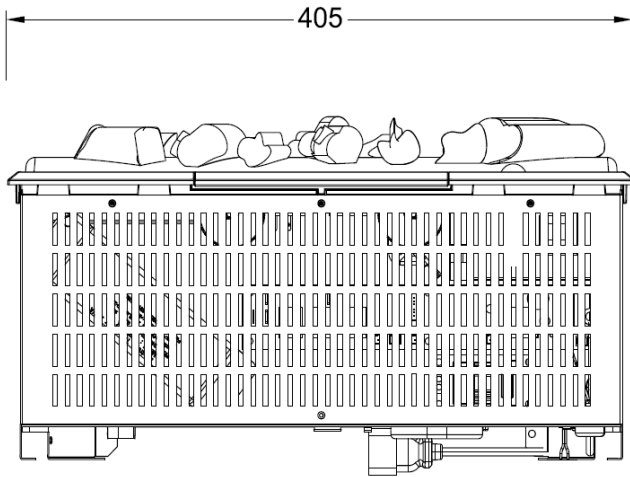


Dimensions



Air intake requirements

