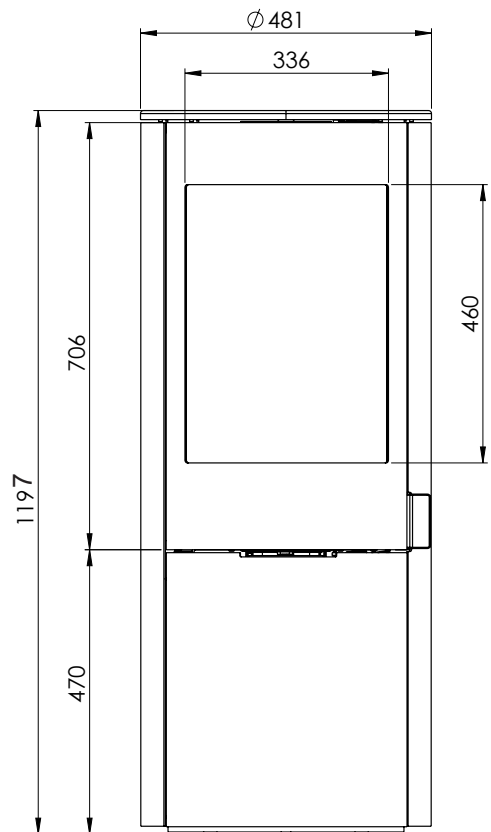
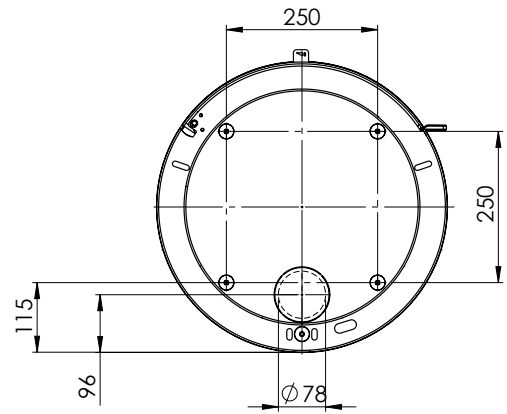
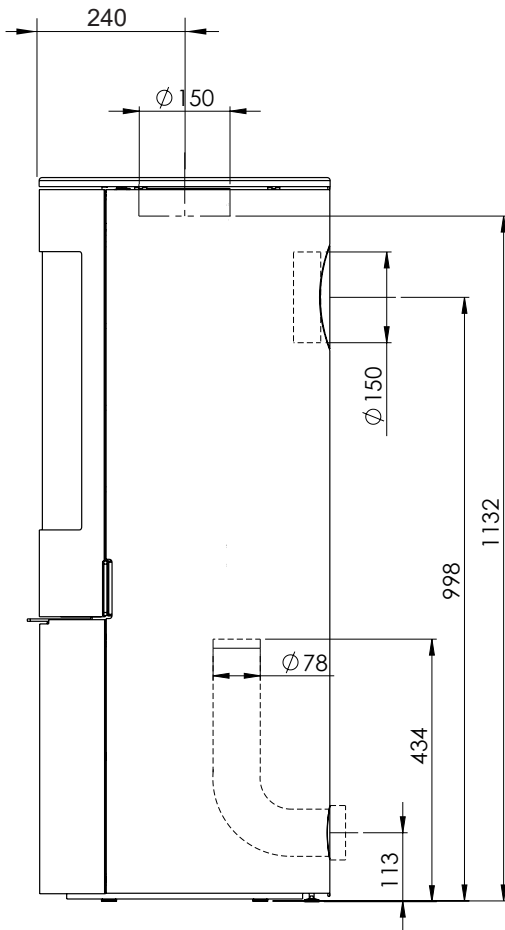


Measurements

ORIGO WITHOUT SIDE GLASS

 Nordpeis





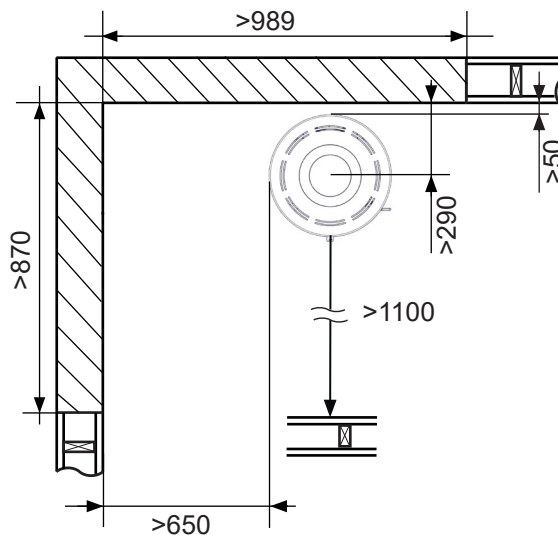
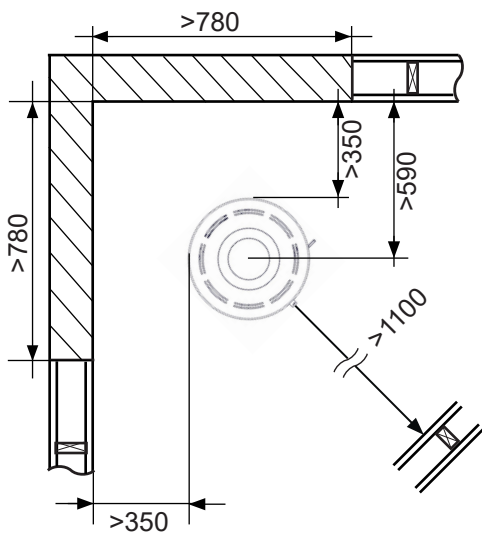
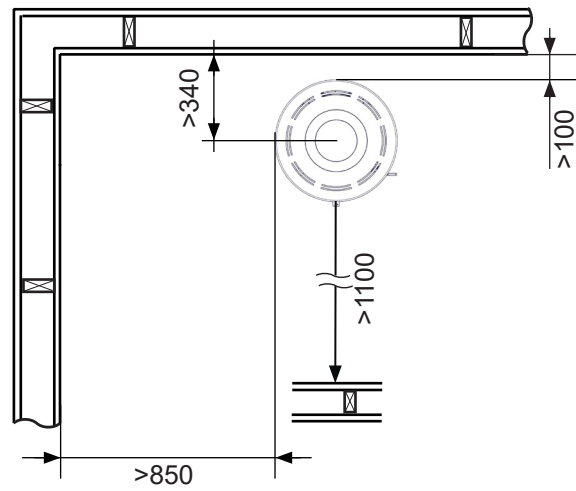
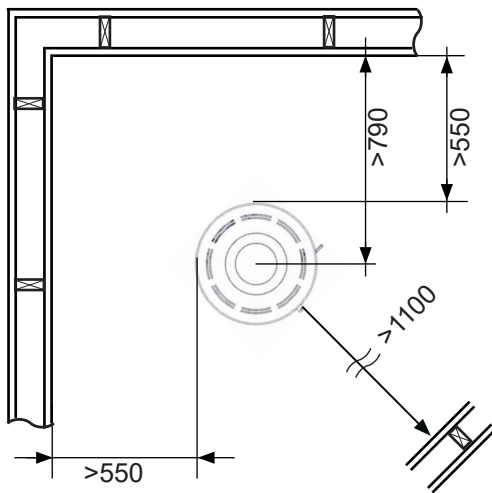
Safety distances

ORIGO WITH/WITHOUT SIDE GLASS

 Nordpeis

ORIGO WITH SIDE GLASS

-  = Brannmur / Brandmur / Firewall / Hitzenschutzwand / Mur pare-feu / Parete non combustibile / Palomuuri
-  = Brennbar materiale / Brännbart material / Combustible material / Brennbares Material / Matériaux combustibles / Parete combustibile / Tulenarka materiaali


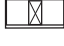


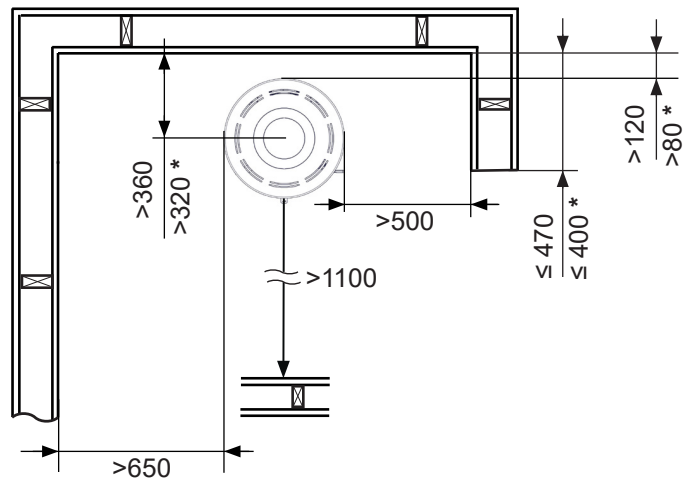
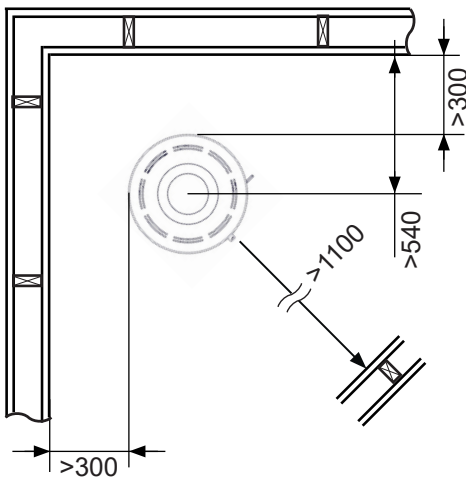
Safety distances

ORIGO WITH/WITHOUT SIDE GLASS

 Nordpeis

ORIGO WITHOUT SIDE GLASS

-  = Brannmur / Brandmur / Firewall / Hitzenschutzwand / Mur pare-feu / Parete non combustibile / Palomuri
 = Brennbar materiale / Brännbart material / Combustible material / Brennbares Material / Matériaux combustibles / Parete combustibile / Tulenarka materiaali



NO * = Kun med isolert pipe

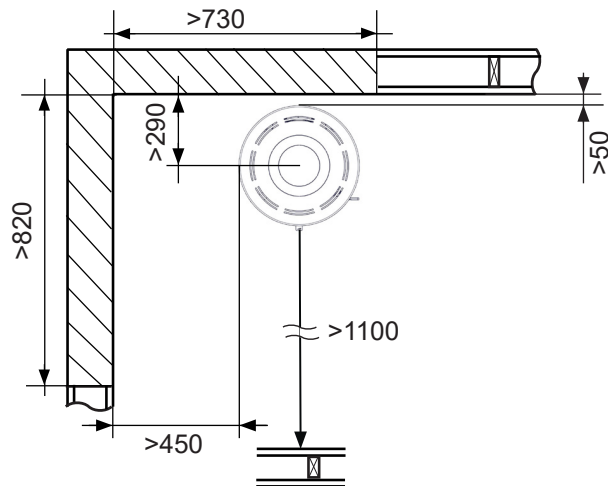
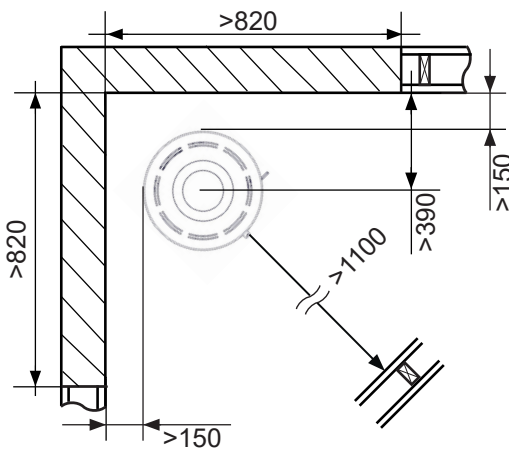
SE * = Endast med isolerad skorsten

FI * = Vain eristettyä savupiippua käytettäessä

EN * = Only applicable with insulated chimney

DE * = Nur mit isoliertem Abgasrohr anwendbar

FR * = Uniquement pour les installations en conduits isolés





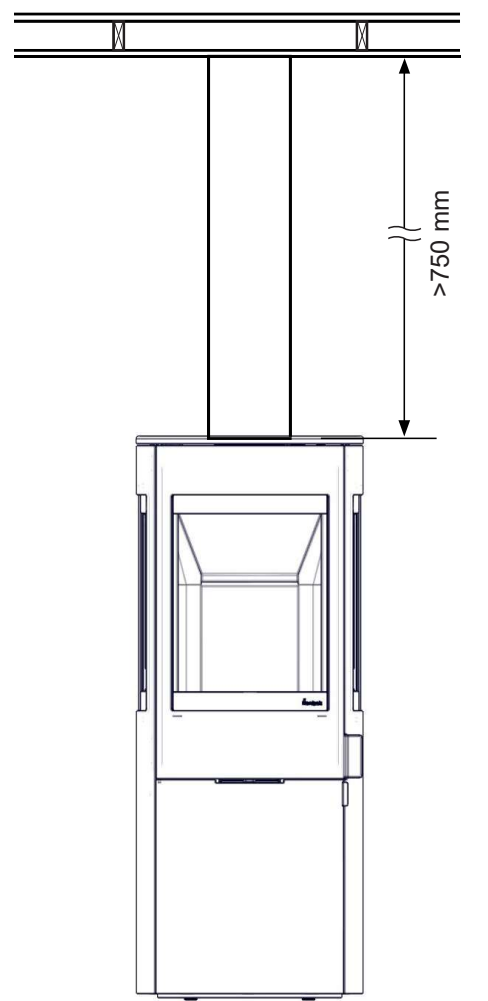
Safety distances

ORIGO WITH/WITHOUT SIDE GLASS

 Nordpeis

ORIGO WITH/WITHOUT SIDE GLASS

-  = Brannmur/ Brandmur/ Firewall/ Hitzenschutzwand / Mur pare-feu / Parete non combustibile / Palomuri
-  = Brennbart materiale / Brännbart material / Combustible material / Brennbares Material /
Matériaux combustibles/ Parete combustibile / Tulenarka materiaali



28-ORIGE-090 Origo glass floor clear 50 cm

