

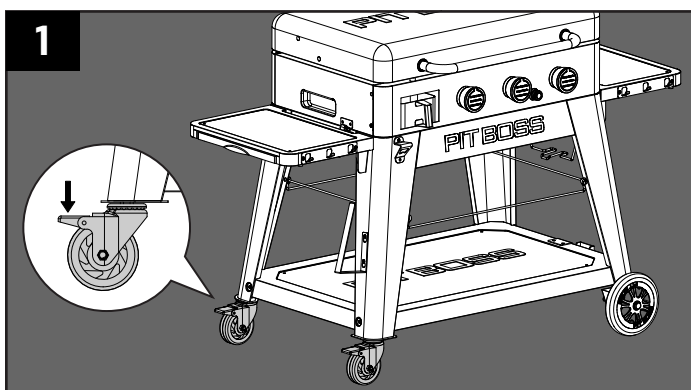


# PIT BOSS®

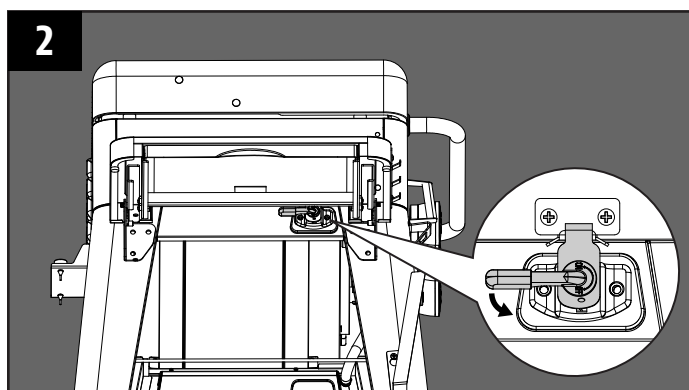
## REMOVING THE GRIDDLE FROM THE CART

TWO PERSONS REQUIRED

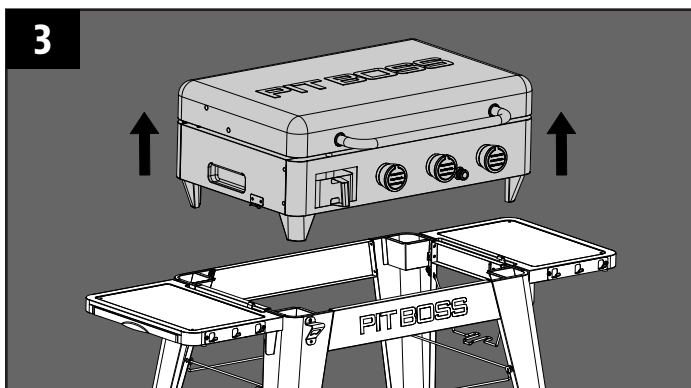
**IMPORTANT: ALWAYS ENSURE THE UNIT IS COMPLETELY COOLED BEFORE MOVING OR REMOVING TO AVOID INJURY. REMOVING YOUR LIFT-TOP GRIDDLE FROM ITS CART IS SAFEST WITH TWO PEOPLE.**



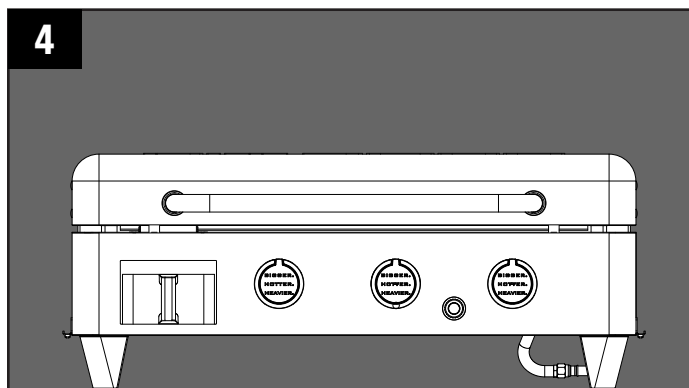
First, lock the two casters to immobilize the Cart. This will ensure the Cart does not shift or move once the Griddle is lifted.



Unlock the latches on both sides of the Griddle. Push the latch lever downwards, then over to the opposite side to unlock the latch.



Using two people, lift the Griddle using the handles on each side. Lift until the feet of the Griddle have come completely out of the Cart.



Once lifted from the Cart, the Griddle is ready for portable usage, transport or storage. Refer to the Owner's Manual for operating instructions and safety precautions.

**ALL PIT BOSS® UNITS SHOULD KEEP A MINIMUM CLEARANCE OF 915MM (36 INCHES) FROM COMBUSTIBLE CONSTRUCTIONS, AND THIS CLEARANCE MUST BE MAINTAINED WHILE THE GRIDDLE IS OPERATIONAL. THIS APPLIANCE MUST NOT BE PLACED UNDER OVERHEAD COMBUSTIBLE CEILING OR OVERHANG. KEEP YOUR UNIT IN AN AREA CLEAR FROM COMBUSTIBLE MATERIALS, OR OTHER FLAMMABLE VAPORS AND LIQUIDS.**