

A

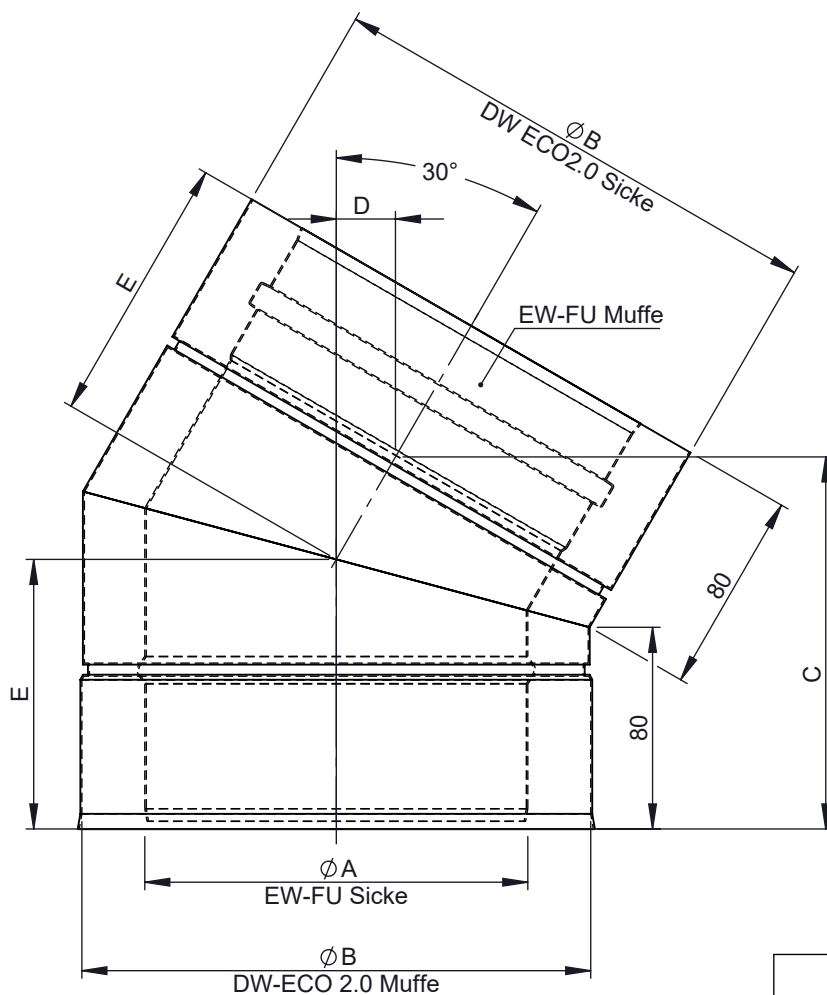
B

C

D

E

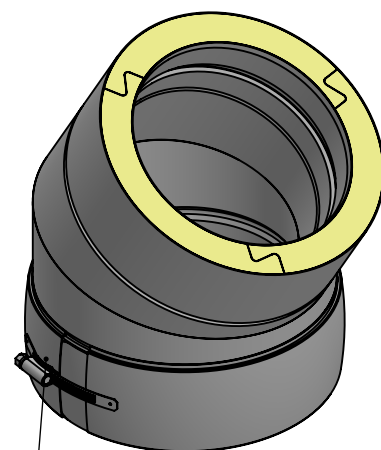
F



600°C



M 1:5 (Ø150)



inkl. Systemklemmband

Ø	80	100	115	120	130	150	160	180	200	225	250	300	350	400	450	500	550	600
A	80	100	115	120	130	150	160	180	200	225	250	300	350	400	450	500	550	600
B	130	150	165	170	180	200	210	230	250	275	300	350	400	450	500	550	600	650
C	130	135	139	140	143	148	150	155	160	166	173	185	198	210	223	235	248	260
D	19	20	21	21	22	23	24	25	27	28	30	34	37	40	44	47	50	54
E	98	100	102	103	104	107	108	111	114	117	120	127	134	140	147	154	161	167
kg	0,93	1,13	1,27	1,32	1,43	1,64	1,75	1,97	2,21	2,51	2,83	3,5	4,22	6,22	7,26	8,36	9,53	10,77

notes:

DIN ISO 13920 Tolerances B

revisions-no.

A2

mm / kg

date

name

drawn by

29.11.2017

KAB

checked by

approved by

modified by

24.03.2025

SSE

 Jeremias[®]

 CHIMNEY SYSTEMS

description

Winkel 30° inkl. Klemmband

code

215-DWECO17

drawing-no.

02-35-6050-000

scale

1:3

format

A4

sheet

1 of 1

